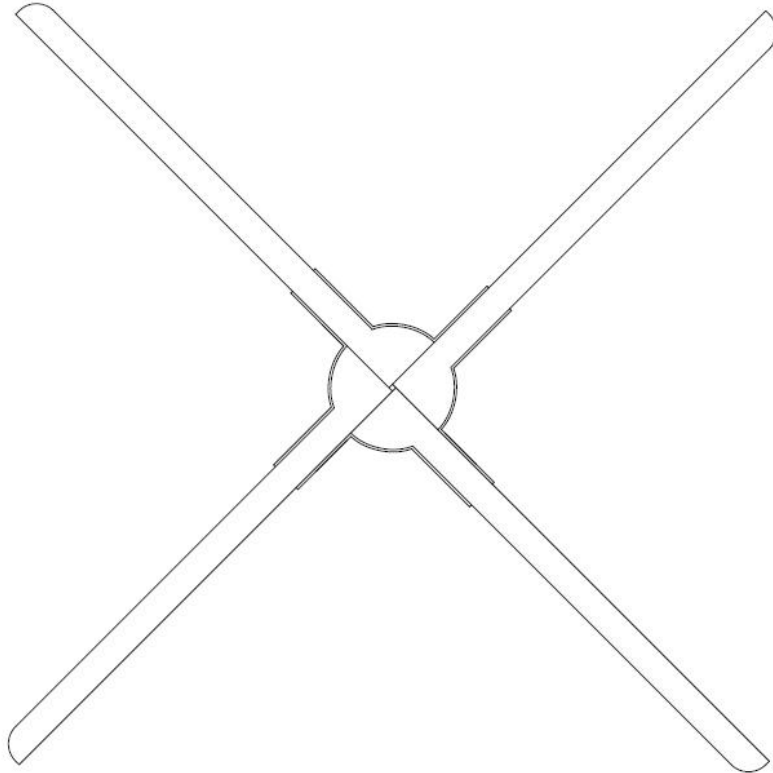


3D HOLOGRAPHIC (SH-P65)



User Manual

Content

Notes.....	2
Parts list.....	2
Remote Controller.....	3
How to Install.....	4
Instructions for use.....	5
1、 Connect the power supply.....	5
2、 Remote control.....	5
3、 Mobile APP Control.....	6
4、 Control with cloud.....	7
5、 Audio output.....	8
6、 Switch device WIFI.....	9
7、 Reboot system.....	10
8、 Restore factory setting.....	10
Troubleshooting.....	10

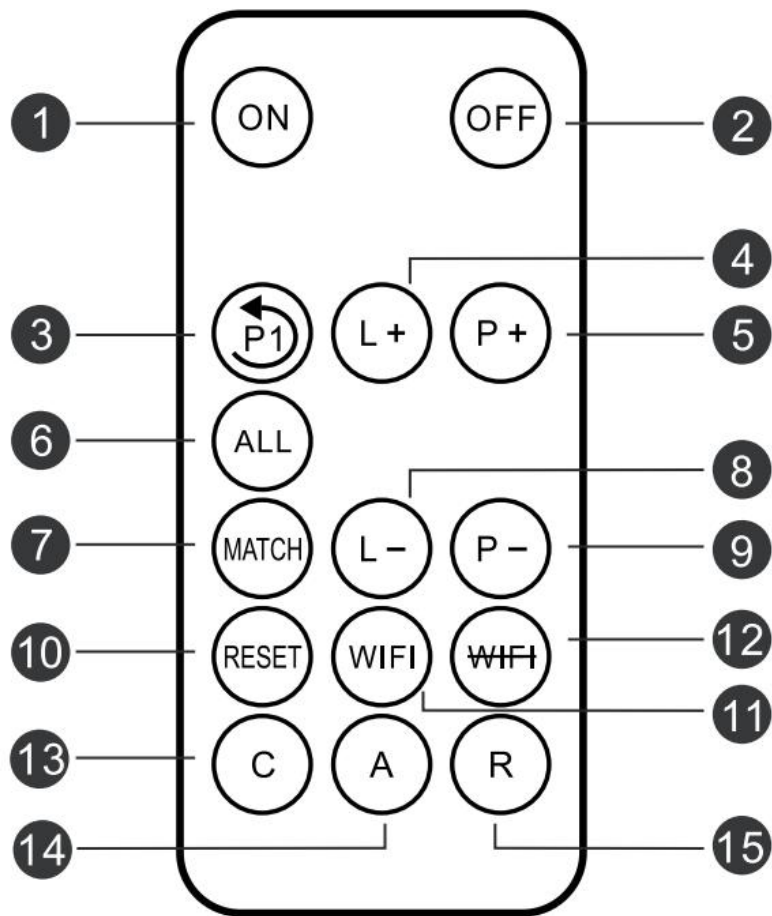
Notes

- 1、 The device should be kept at a distance from a barrier. Install first before turning on the device. In order to prevent the blade from scratching others and damaging the device blades.
- 2、 Keep distance when the device is working. Keep safety when installing it high above the ground.
- 3、 When the device is working, do not disassemble the device, otherwise, it may cause abnormal operation on the device.
- 4、 Keep away from high temperature and high humidity environment. Do not use it outdoor if it is raining.
- 5、 Pay attention to maintenance and clean the device regularly.

Parts list

No.	Items	Quantity
1	3D Hologram Fan	1
2	Fan blade	4(A×2,B×2)
3	Adaptor	1
4	Remote Controller	1
5	Wall-mounting Part	1
6	Setscrew	2
7	Warranty Card	1
8	Certification Card	1

Remote Controller



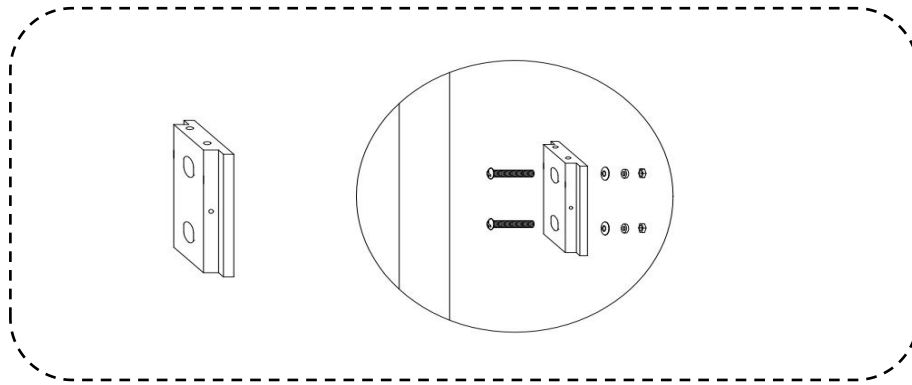
- | | |
|---|---|
| ① ON: Start device | ⑨ P-: Switch to the previous video |
| ② OFF: Stop device | ⑩ RESET: Restart the system |
| ③ P1: Play the first video | ⑪ WIFI: Turn on the WIFI |
| ④ L+: Increase brightness | ⑫ WIFI: Turn off the WIFI |
| ⑤ P+: Switch to the next video | ⑬ C: Switch to Cloud |
| ⑥ ALL: Match all masters to remote | ⑭ A: Switch to APP mode, disconnect to Cloud or Routing mode |
| ⑦ MATCH: Match remote controller | ⑮ R: Switch to Routing mode |
| ⑧ L-: Decrease brightness | |

Remote control battery model: CR2025 Please pull out the PVC insulation sheet before use, in order not to waste the battery, when not in use, please plug back the PVC insulation sheet.

How to Install

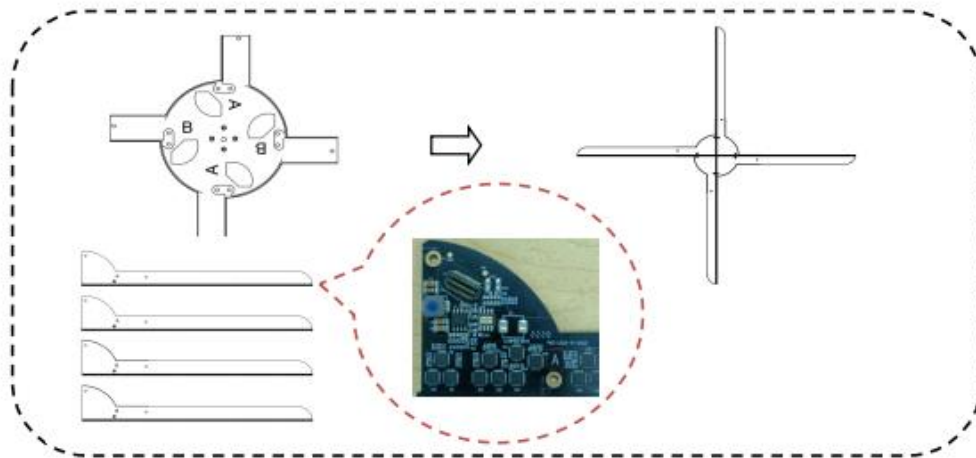
1、 Install fixed part

- a. Tighten the Wall-mounting part onto the back of device with two small screws. The diagram below:



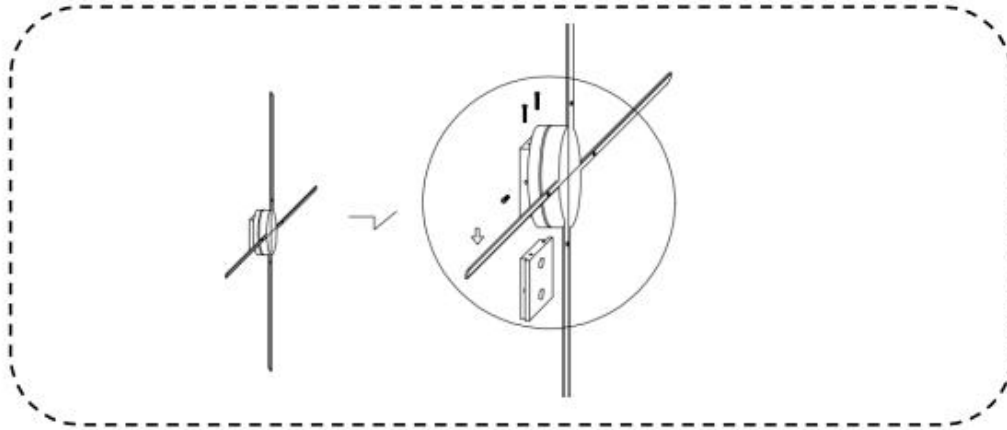
2、 Install fan blade

- a. Take out the fan body and fan blades , Put blade A in position A and Screw, Put blade B in position B and Screw. Caution: Ensure that the equipment is installed according to the AB label. Otherwise, the equipment may be damaged



3、 Install hologram fan

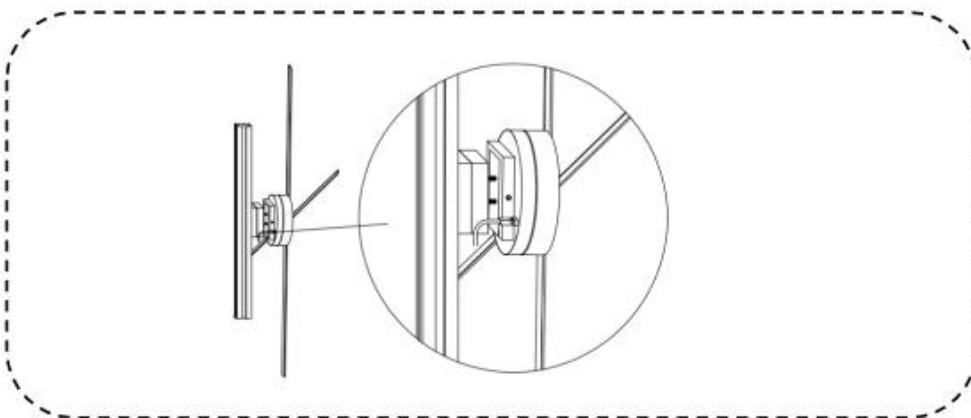
- b. Take out the device.
- c. Install the fixed par where you need it.
- d. Hang the device to the fixed par.
- d. Tighten all screws to complete the installation.



Instructions for use

1、 Connect the power supply

After the device is fixed, use the power adapter to connect to the power socket of the device. Wait until the device initialization is complete, and the breathing indicator blinks on and off. (If the breathing indicator is not on, check whether the power supply is normal or the breathing indicator is turned off.)



2、 Mobile APP Control

Download APP software

(1) Download App software

Android Download URL: <http://down.holocloud.online>

IPhone (App Store) search for :3D Magic

(2) It can be downloaded APP by scanning the QR code below as:

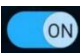


(3) Connect with device

After the device is powered on, turn on the wireless function of the mobile phone, connect to the WIFI of the device, and open the APP. The WIFI format of the device will be as follows: CS_P65_XXXXXX. The specific number is shown in the body of the device, and the password is CS123456



(4) Switching device(On or OFF)

Touch the switch button  on the APP to turn on/off the device.

(5) Upload video content

Touch "**Upload**" to upload videos or photos to the device.

(6) Switch video content

Touch a video in the list, it will automatically switch to play the corresponding video

(7) Edit Video

Touch "**Edit**" to edit the video, including delete, rename, drag to sort, etc.

(8) More settings

Touch the "**Setup**" below to adjust the brightness, angle, play mode, and so on.

3、 Remote control

(1) Remote control matching

When the device is in the standby state (no rotation), press the "**MATCH**" button behind the device (press the '**All**' key of the remote control also can enter this state), and indicator 1 will turn from red to green flashing. At this time, use the remote control to aim at the device, press the **MATCH** button of the remote control, indicator 1 will turn back to red after the green flashing becomes faster, and the pairing is successful.

(2) Turn on or off

Use the remote control to aim at the device, press "**ON**" on the remote control, the indicator light 1 on the back of the device changes from red to blue, and the device starts to run. Use the remote control to aim at the device, press "**OFF**" on the remote control, the indicator light 1 on the back of the device changes from blue to red, and the device stops rotating.

(3) Switch video content

Use the remote control to aim at the device, press "**P+**" on the remote control to switch to the next video, press "**P-**" to switch to the previous video, and press "**P1**" to switch to the first video.

(1) Adjust brightness

Use the remote control to aim at the device, press the "**L+**" on the remote the brightness of the fan will increase, press the "**L-**" to reduce the brightness.

(2) For more information on other key functions of the remote control, please read the description of the remote control.

4、 Control with cloud

The cloud can remotely control the fan, the operation steps are as follows:

(1) Cloud account registration

Click the corresponding website and follow up the prompts on the page to complete the account registration. You can choose China server or European server.

China server URL: <https://www.holocloud.online/>

European server URL: <https://england.holocloud.online/>

(2) Configure the cloud connection information via the mobile phone APP

Connect the mobile APP to the fan, and enter: "Setup". Select the cloud server you want to use, setting the "Cloud long connection" on. And then click "Remote Control", Enter the network used to connect to the cloud and the bound cloud account. Click "DEVICE CONNECT TO CLOUD", and the fan will automatically connect to the cloud, Fan indicator light 2 will turn green, APP will be disconnected from the fan and the WiFi of the fan will not be visible

(If the Fan has connected to the cloud succeed, next time you can quickly connect to the cloud by pressing "C" on the remote control or "NET" on the back of the fan.)

(3) Cloud operation

After logging in to the cloud account and waiting for fan online, you can control the fan through the cloud platform.

For more cloud operation, please refer to:

<http://doc.holocloud.online/product/cloud/cloud/>

(4) Exit Cloud Control

When the fan enters cloud system (indicator light 2 turns green), press "A" key on the remote control or click "NET" key on the back of the fan to exit cloud system. The green light of indicator light 2 will be off, and the WiFi of the fan will be visible again.

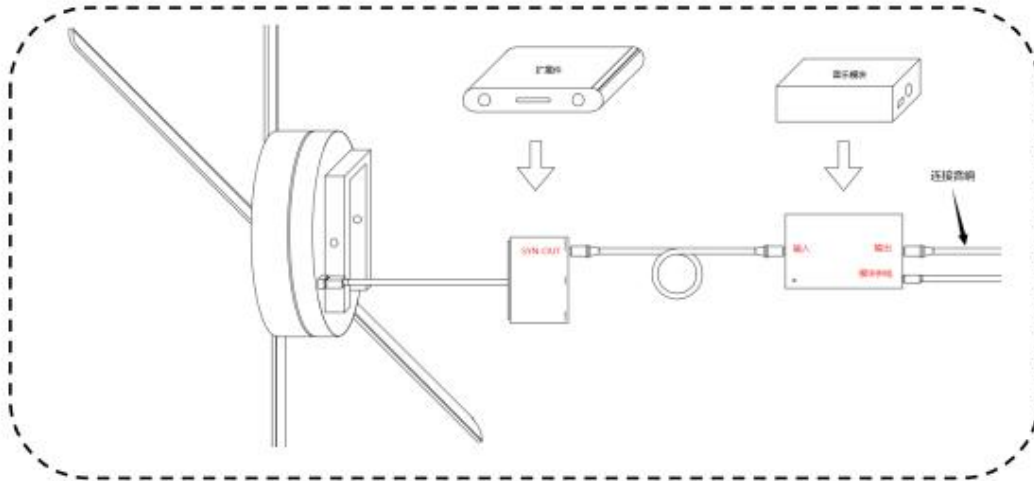
4、 Audio output

(1) Play sound by connecting to Bluetooth

After connecting the fan, open the APP: "Setup"->"Toggle Bluetooth". After Bluetooth is turned on the fan will automatically scan the surrounding Bluetooth. Select the Bluetooth to be connected from the scanned Bluetooth list, and click "Confirm". After successful connection, sound can be output through Bluetooth.

(2) Play the sound through the music module.

A Connect the computer and the music module with the USB data cable, select your favorite music on the computer, and put it into the removable disk 01 folder directory of the audio module. Naming rules: For example, the name of conquest.mp3 is 001_conquest.mp3, indicating that the first video corresponds to the audio 001_conquest SYN - OUT equipment and sound devices (devices connected music module input, music module output connection audio equipment), can through the audio output sound more refer to: <http://doc.holocloud.online/product/matrix/matrix/music>
music
module



This PC > USB Drive (E:) > 01

Search 01

Name	Date modified	Type	Size
001_happy	9/15/2020 4:53 PM	MP3 Format Sound	4,911 KB
002_happy2	7/18/2019 4:14 PM	MP3 Format Sound	1,875 KB
003_lucky	8/24/2019 3:07 PM	MP3 Format Sound	9,515 KB
004_love	6/29/2020 11:09 AM	MP3 Format Sound	7,962 KB
005_peace	9/14/2020 9:55 PM	MP3 Format Sound	198 KB

5、 Switch device WIFI

Press and hold the “NET” key on the back of the device for 3 seconds or press “WIFI” key on the remote control to turn off WIFI of the device. Device indicator light 2 will be light blue.

When WIFI is off, press and hold the “NET” key at the back of the device for 3 seconds or press the “WIFI” key on the remote control to turn on WIFI, and the light blue indicator light 2 will be off.

6、 Reboot system

Press “Reset” to restart the device system under the condition of constant power.

7、 Restore factory setting

If you forget the password of the device, you can restore the factory setting of the device. To restore the factory setting, it will erase all videos uploaded by the user. Press and hold the “NET” key for more than 10s until the indicator light 1 has all colors flash, the host will return red light, indicating that the factory setting has been restored.

Troubleshooting

1. After turning on the power, the LED on the fan blade does not light up

Solution: Check whether the power supply is connected and whether the line is normal.

2. Rotate to display the colored circle

Solution: Check whether the fan blade installation is loose and whether the power supply is normal. There may be individual LED damage, please contact the supplier for repair.

3. Unable to start rotation

Solution: Check whether the device is powered by power. It may also be that the device is in slave mode or emergency stop state, which can be switched to the master, and the power off is lifted to the emergency stop and power on again. If the problem is not resolved, please contact the vendor.

4. Neither the mobile APP nor the remote control can control the device

Solution: The device may be in slave mode, switch to the master, power off, and then power back on.

5. How to switch the slave to the master

Solution: Use a sync cable to connect the output and input of the device. APP connect to the device, enter: Settings -> advanced options, click the button on the right side of "Networking Control", you can switch the device to the host.